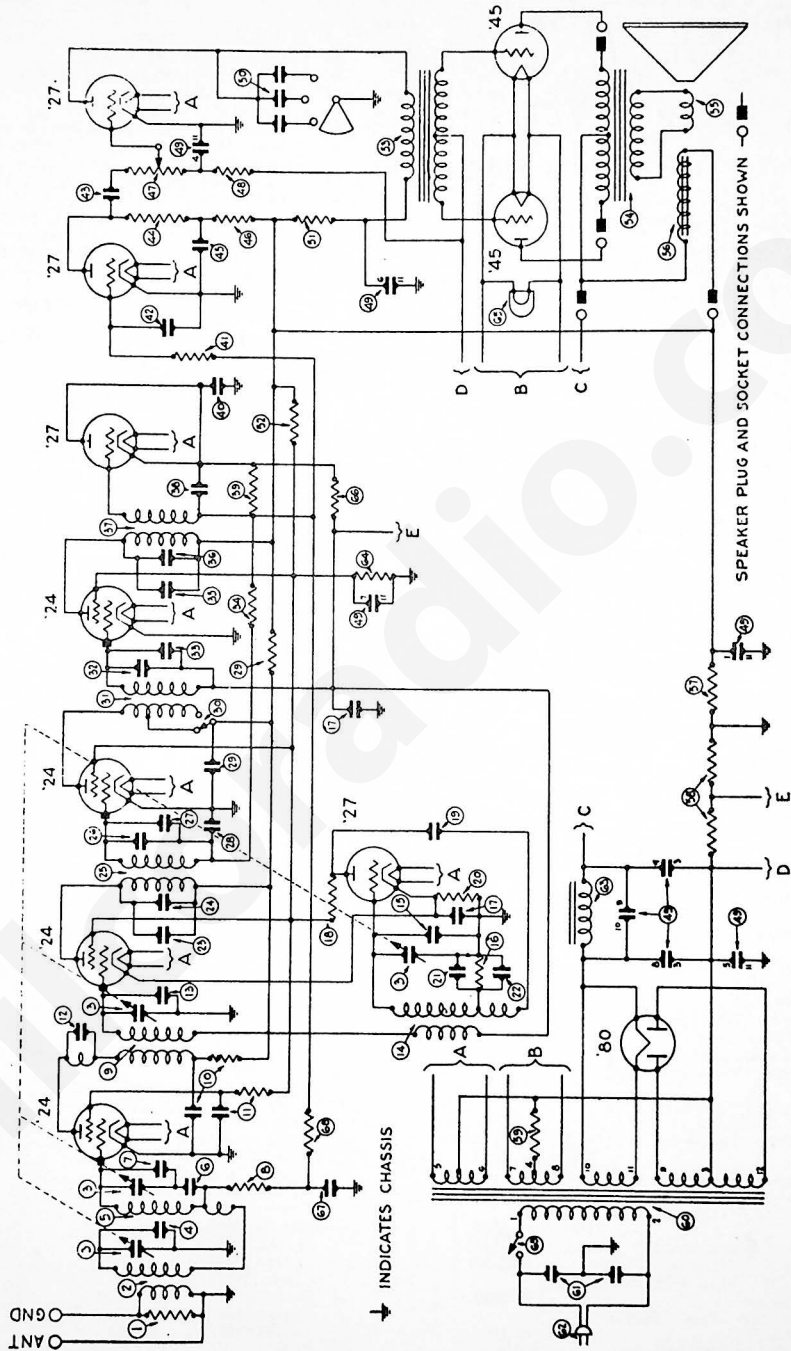
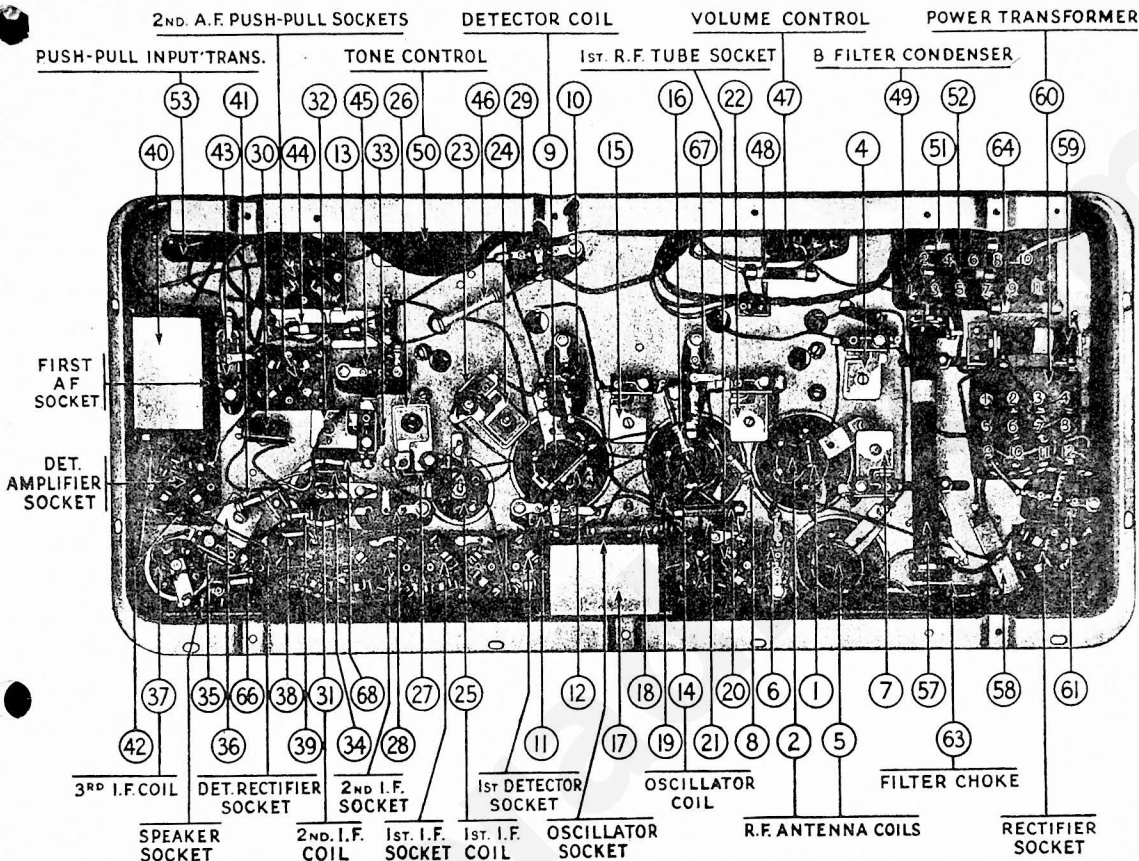


MODELS 111 AND 111-A



NOTE: The connection shown between Condenser No. ⑦ and Condenser No. ⑧ should also be connected to ground.

Models 111 and 111-A



REPLACEMENT PARTS

No. on Figs. 3 and 4	Description	Part No.	No. on Figs. 3 and 4	Description	Part No.
①	Resistor—10,000 Ohms	4412	⑤	Condenser—5	3553
②	1st R. F. Coil	3884-J	⑥	Resistor—100,000 Ohms	4411
③	Tuning Condenser	4000-D	⑦	Condenser—00025	3082
④	Compensating Condenser	3772-A	⑧	Condenser—015	3793-B
⑤	2nd R. F. Coil	3884-T	⑨	Resistor—500,000 Ohms	3769
⑥	Condenser—.05	3815-L	⑩	Condenser—.05	3615-S
⑦	Compensating Condenser	3968-A	⑪	Resistor—250,000 Ohms	3768
⑧	Resistor—100,000 Ohms	4414	⑫	Volume Control	4093
⑨	1st Detector Coil	3884-V	⑬	Resistor—70,000 Ohms	2542
⑩	Condenser—.05 and 250 Ohms	3815-C	⑭	B Filter Condenser Block—60 cycles	3754
⑪	Condenser—.05 and 250 Ohms	3815-C	⑮	B Filter Condenser Block—25 cycles	3755
⑫	Coupling Condenser	3892-A	⑯	Tone Control	4037-A
⑬	Compensating Condenser	3968-A	⑰	Resistor—25,000 Ohms	3636
⑭	Oscillator Coil	3884-U	⑱	Resistor—25,000 Ohms	3635
⑮	Compensating Condenser	3968-A	⑲	Push-pull Input Transformer	3337
⑯	Resistor—50,000 Ohms	4518	⑳	Push-pull Output Transformer	2848
⑰	Condenser—.25 double	3557	㉑	Voice Coil and Cone Assembly	2794-B
⑱	Resistor—13,000 Ohms	3766	㉒	Field Coil	2850
⑲	Condenser—00011	4519	㉓	B Resistor—10,000 Ohms	4532
⑳	Resistor—1,000 Ohms	4590	㉔	C Resistor	3764
㉑	Condenser—.0007	4520	㉕	C Resistor—800 Ohms	3763
㉒	Compensating Condenser	3772-B	㉖	Power Transformer—60 cycles	4446
㉓	Condenser—.00011	4519	㉗	Power Transformer—25 cycles	4447
㉔	Compensating Condenser	3772-C	㉘	Condenser—.015 double	3793-E
㉕	1st I. F. Coil	4501-B	㉙	A C Cord and Plug	L-943-A
㉖	Compensating Condenser	3772-C	㉚	Filter Choke	3422
㉗	Condenser—.0001	4519	㉛	Resistor—70,000 Ohms	3542
㉘	Condenser—.05	3815-J	㉜	Pilot Lamp	3403
㉙	Condenser—.05 and 250 Ohms	3815-B	㉝	Resistor—100,000 Ohms	4411
㉚	Range Switch	3116	㉞	Condenser—.05	3015-D
㉛	2nd I. F. Coil	4501-C	㉟	Resistor—100,000 Ohms	4411
㉜	Compensating Condenser	3772-C	㊱	On-Off Switch	4095
㉝	Condenser—.00011	4519	㊲	Insulator for Part Nos. 3557-3583	4105
㉞	Resistor—500,000 Ohms	4517	㊳	Pilot Bracket Assembly	4027-A
㉟	Condenser—.00005	4587	㊴	Bolt for Pilot Bracket Assembly	W-139
㊱	Compensating Condenser	3772-D	㊵	Tone Control Nut	W-133
㊲	3rd I. F. Coil	4501-D	㊶	By-pass Condenser Mounting Bolt	W-144
㊳	Condenser—.00011	4519	㊷	Bottom Shield Bolt	W-453
㊴	Resistor—100,000 Ohms	4411	㊸	Chassis Mounting Bolt	W-468